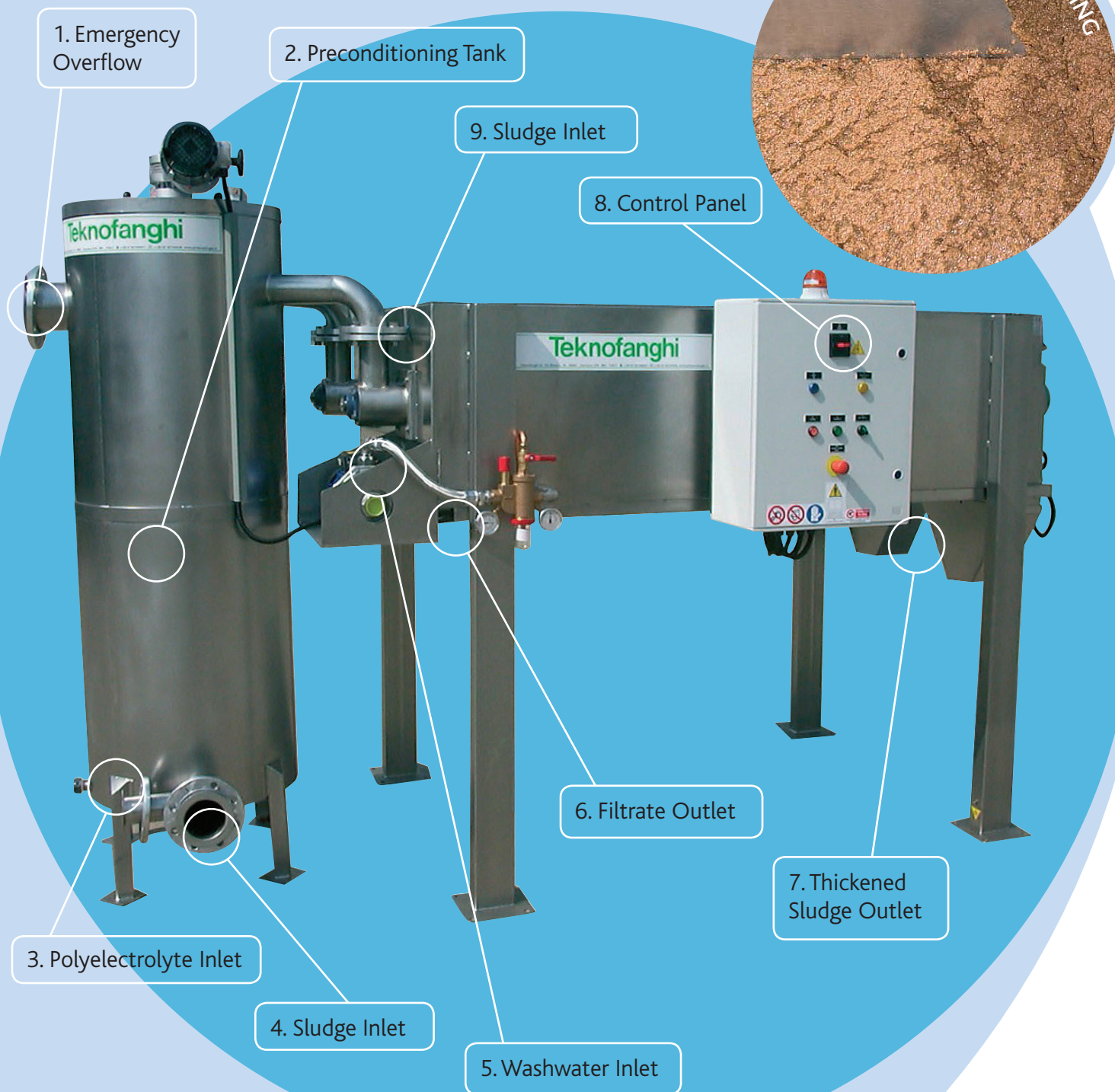


# Scrudrain<sup>®</sup>

The modern and economical solution to sludge thickening. Usually placed before filter presses, belt presses and centrifuges to achieve a higher sludge concentration prior to final dewatering.



# Scrudrain®



## How it works

The advantage of the Scrudrain® thickener over conventional thickeners is the use of an Archimedian screw with a polyester filter cloth attached to it to form a drum with a screw inside. The rotation of the drum filter is achieved using an adjustable geared motor.

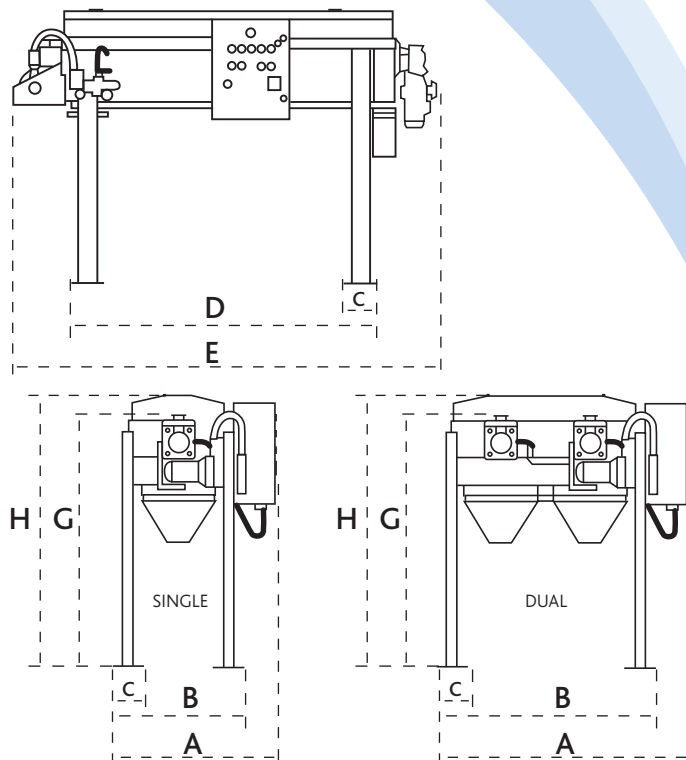
This design enables easy and simple control of the dewatering process by adjusting the rotating speed to achieve optimal dewatering time and sludge thickness. It also minimises the use of polyelectrolyte according to requirements. The filter cloth is cleaned using high pressure wash water.

The filter cloth has a long life because it is not under tensile stress. Scrudrain® thickeners are supplied complete with control panel, washing pump, all ancillary items and are factory tested in order to minimise installation time.

## Features & Benefits

- ✓ Sludge with 0.5 – 3% dry solids can be thickened to 5 – 15% dry solids.
- ✓ High quality, manufactured from AISI304 Stainless steel.
- ✓ Variable rotation speed to control the concentration of the thickened sludge.
- ✓ Patented design with CE marking.
- ✓ Can thicken up to 60m<sup>3</sup> sludge per hour.
- ✓ Low polyelectrolyte consumption.
- ✓ Supplied complete with washing pump and control panel, factory tested and ready to run.
- ✓ Commissioning, servicing and maintenance service available. Installation also available.

## Dimensions (mm)



UNIT MAX FLOW m <sup>3</sup> /hr*	SINGLE		DUAL	
	MIDI 20	MAXI 30	MIDI 40	MAXI 60
(A)	1040	1240	1640	2050
(B)	840	1040	1407	1820
(C)	200	200	200	200
(D)	1956	2032	1956	2032
(E)	2707	2835	2707	2835
(G)	1613	1592	1613	1592
(H)	1760	1820	1760	1820

\*Max flow depends on type of sludge & concentration of DS.  
Allerton® reserves the right to alter the specifications and dimensions without notice.

**2 YEAR WARRANTY ON  
ALL WORKING PARTS**

**FOR FURTHER INFORMATION  
CALL: 01529 305757  
EMAIL: [sales@allertonuk.com](mailto:sales@allertonuk.com)**